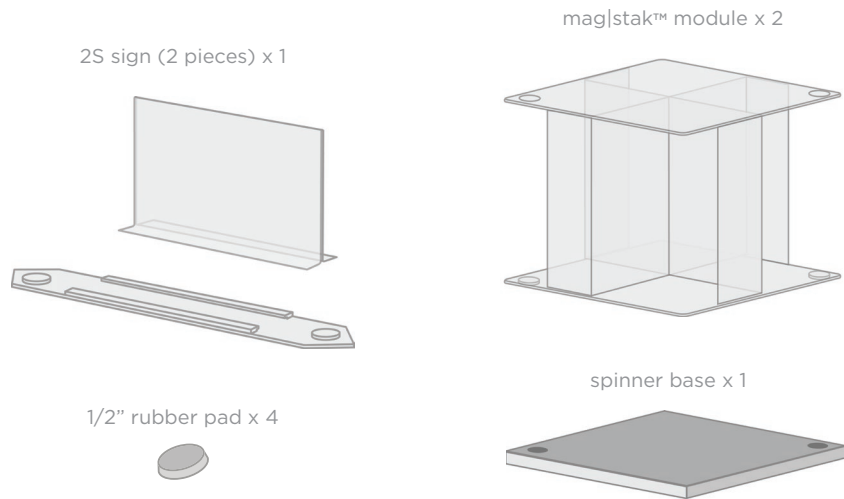
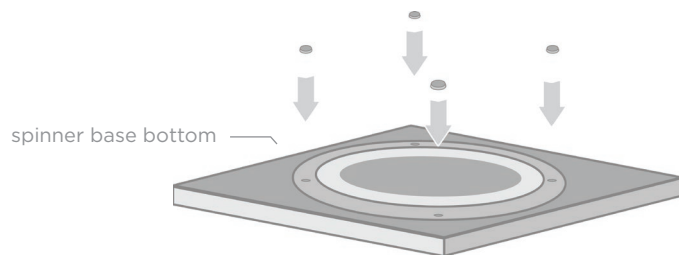


mag|stak™ counter display assembly instructions

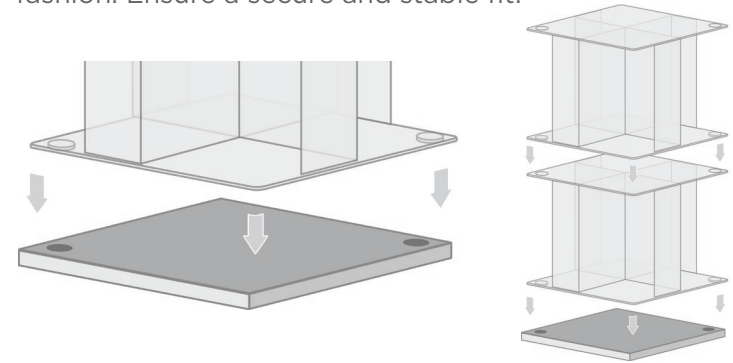
- 1 Remove items from packaging and check for proper contents and quantity.



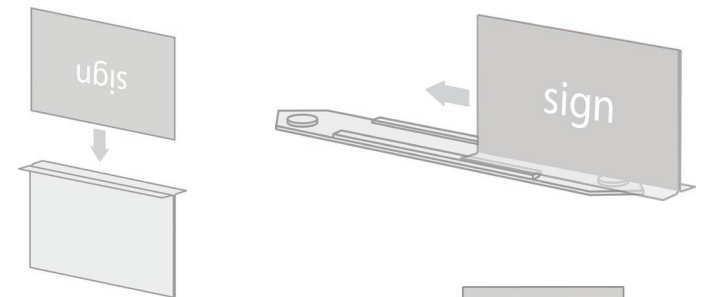
- 2 Attach rubber pads on metal plate on the bottom of the spinner base using the smallest holes as placement markers.



- 3 Stack one mag|stak™ module on top of spinner base using alignment disks which set into alignment ports as shown below. Stack second module in same fashion. Ensure a secure and stable fit.

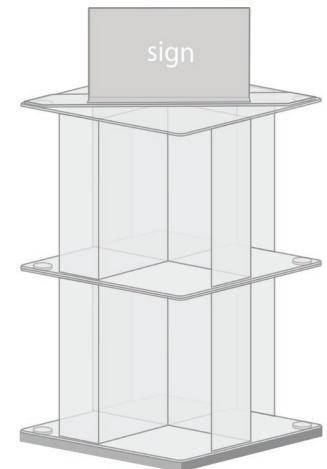


- 4 Insert your printed signage into 2S sign as shown below, and combine signage components.



- 5 Place signage on top mag|stak™ module, making sure to connect alignment discs with alignment ports. Ensure a secure and stable fit.

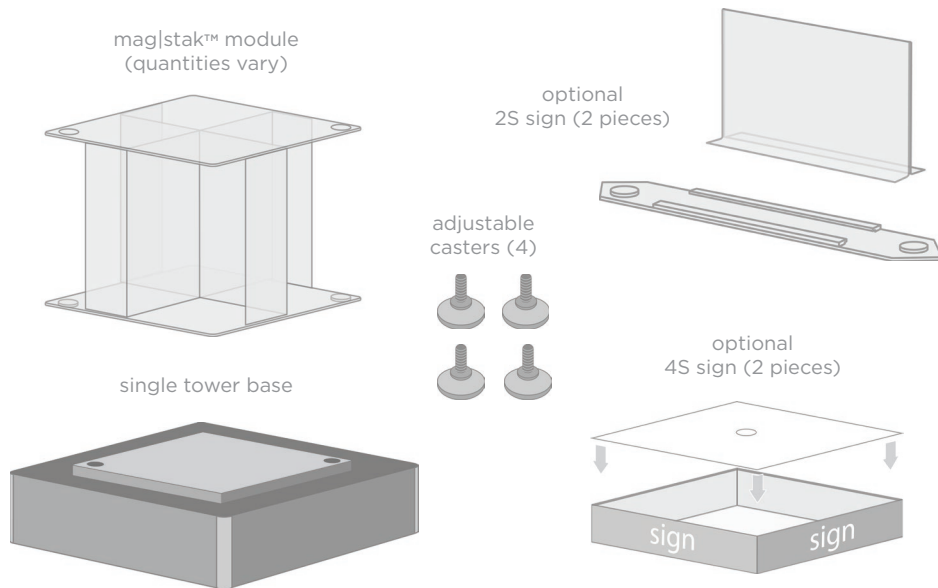
completed unit



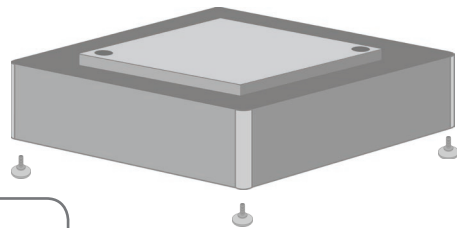
mag|stak™ single tower display

assembly instructions

- 1 Remove items from packaging and check packing slip for proper content and quantity.



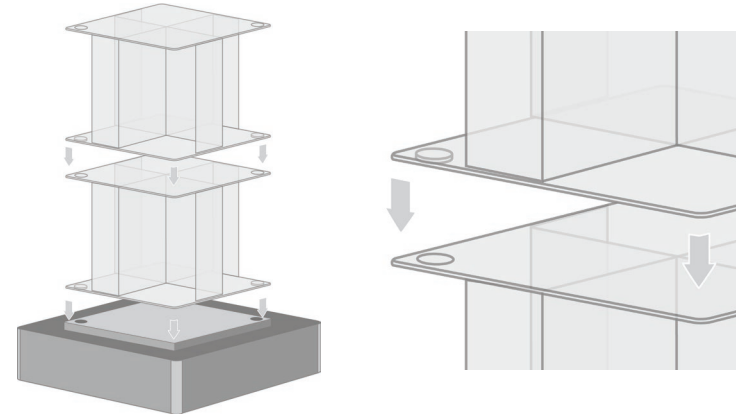
- 2 Tightly screw (4) adjustable casters into bottom of single tower base before assembling.



Safety Warning: Tower bases are heavy! Use two people when installing casters into bottom of base.

3

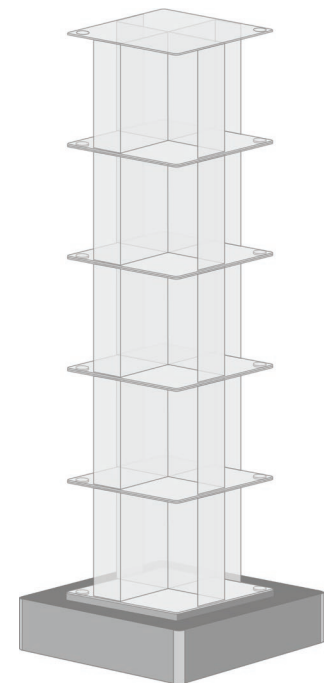
- 3 Stack one mag|stak™ module on top of single tower base using alignment disks which set into alignment ports as shown below. Stack additional modules on top, in same fashion.



completed tower

NOTE: Towers with standard modules are 6 modules high. Towers with tall modules are 5 modules high (pictured). Towers with magazine modules are 4 modules high. Signage is optional.

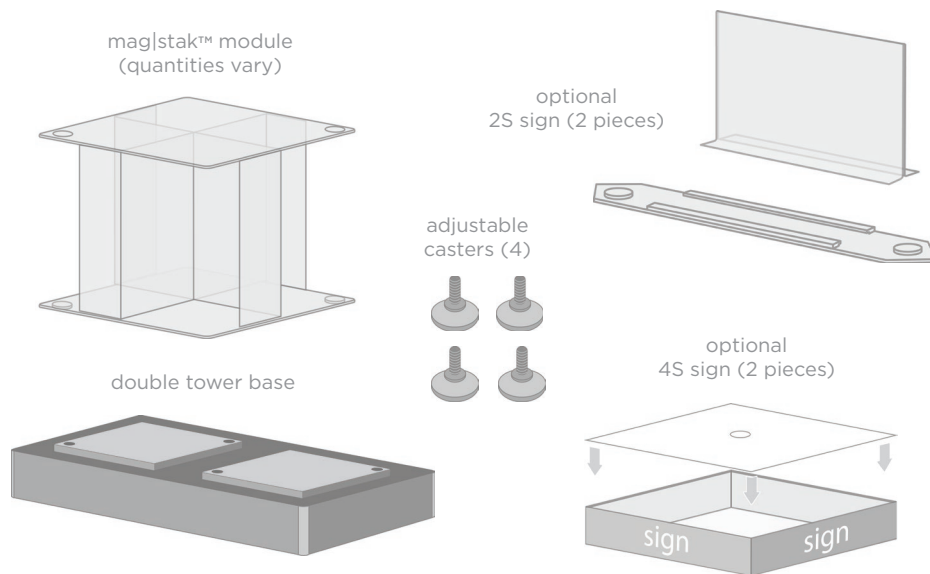
See care instructions for proper care and handling of product.



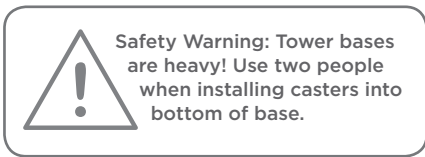
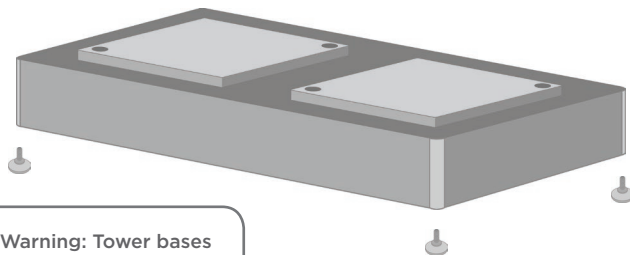
mag|stak™ double tower display

assembly instructions

- 1 Remove items from packaging and check packing slip for proper content and quantity.

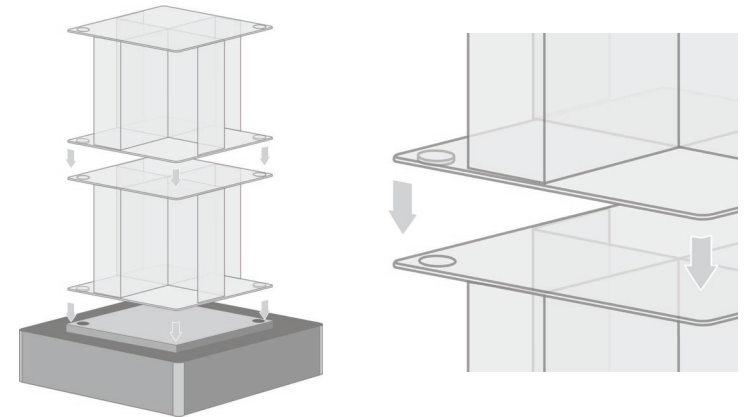


- 2 Tightly screw adjustable casters into bottom of double tower base before assembling.



3

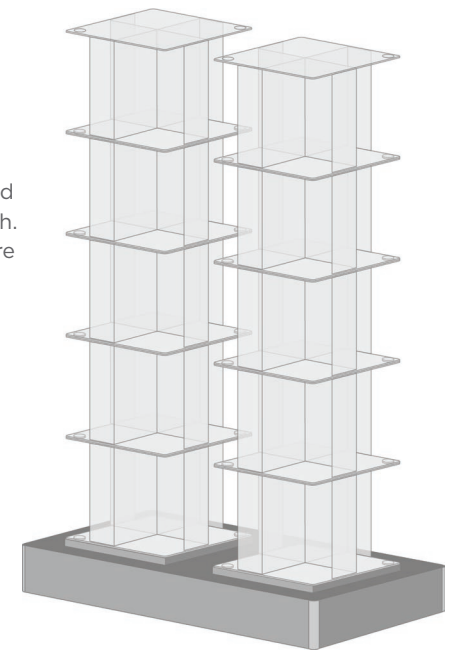
- 3 Stack one mag|stak™ module on top of double tower base using alignment disks which set into alignment ports as shown below. Stack additional modules on top, in same fashion.



completed tower

NOTE: Towers with standard modules are 6 modules high. Towers with tall modules are 5 modules high (pictured). Towers with magazine modules are 4 modules high. Signage is optional.

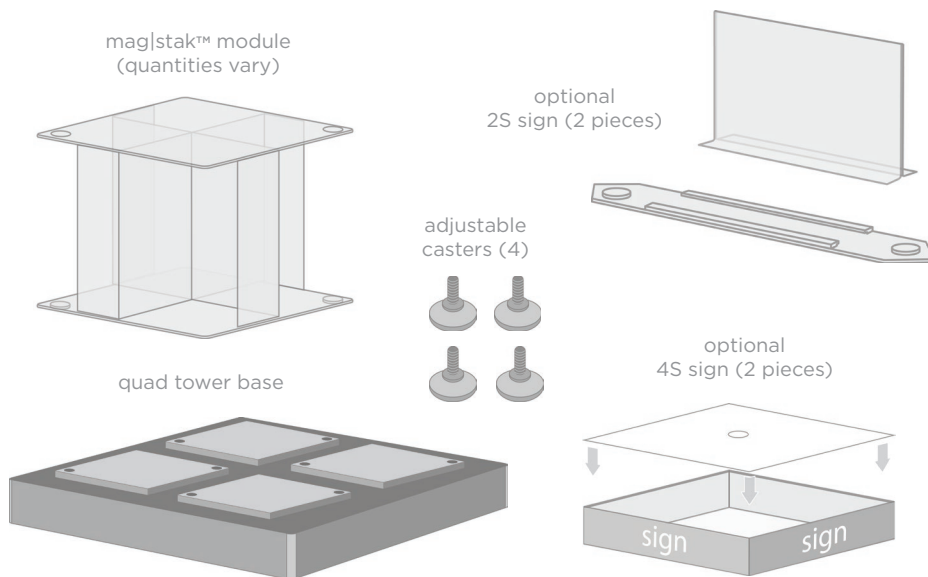
See care instructions for proper care and handling of product.



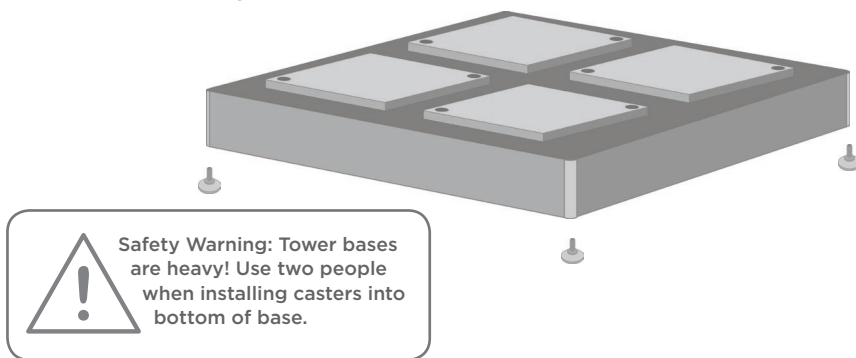
mag|stak™ quad tower display

assembly instructions

- 1 Remove items from packaging and check packing slip for proper content and quantity.

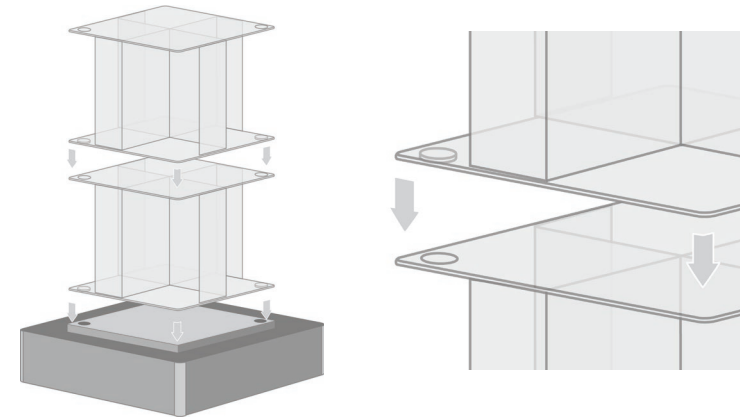


- 2 Tightly screw adjustable casters into bottom of quad tower base before assembling.



3

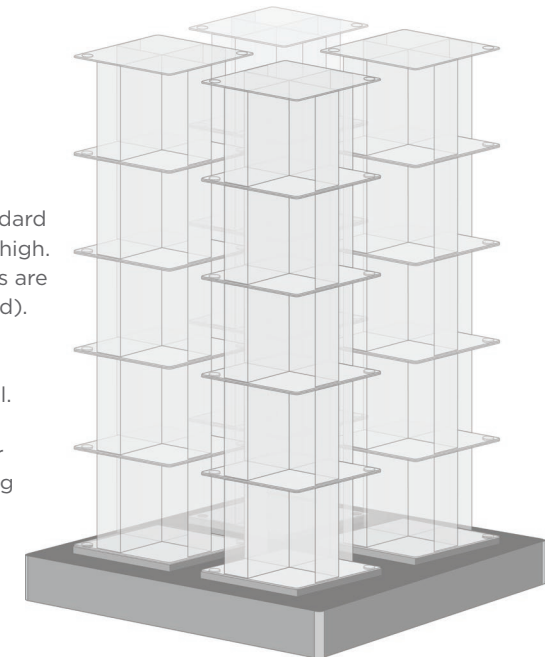
Stack one mag|stak™ module on top of quad tower base using alignment disks which set into alignment ports as shown below. Stack additional modules on top, in same fashion.



completed tower

NOTE: Towers with standard modules are 6 modules high. Towers with tall modules are 5 modules high (pictured). Towers with magazine modules are 4 modules high. Signage is optional.

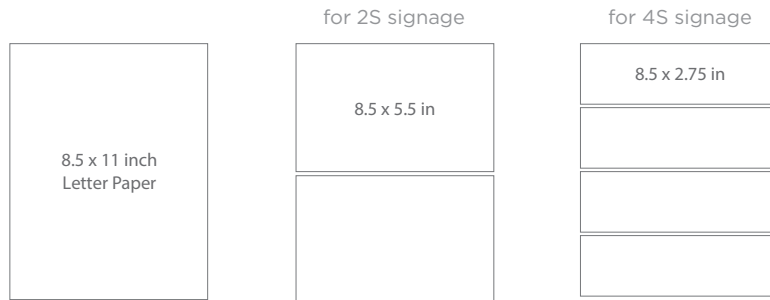
See care instructions for proper care and handling of product.



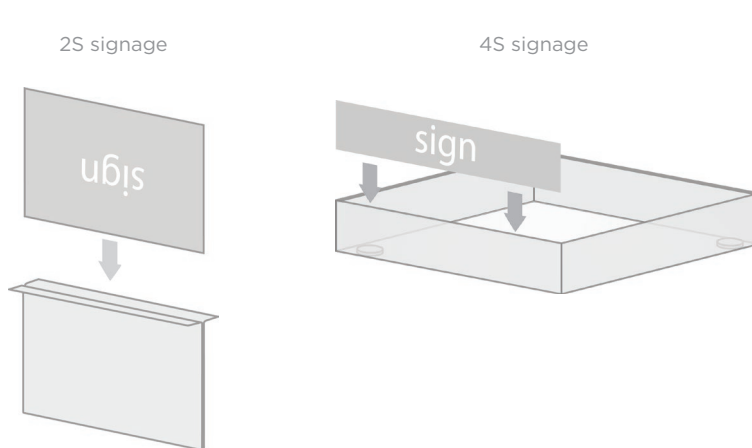
mag|stak™ signage

assembly instructions

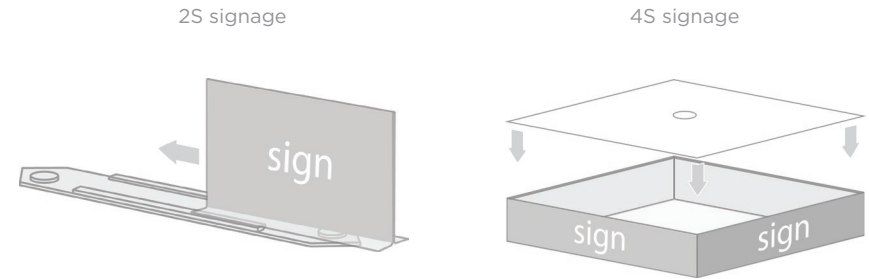
- 1 You can use one standard 8.5 x 11 inch piece of paper to satisfy all of your signage needs. See options below.



- 2 Insert your printed signage into appropriate holder as shown below.



- 3 Combine signage components.



- 4 Place signage on top-most mag|stak™ module, making sure to connect alignment discs with alignment ports.

